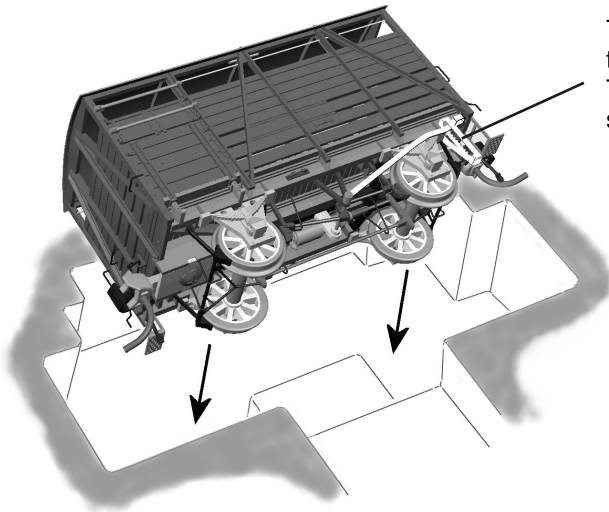
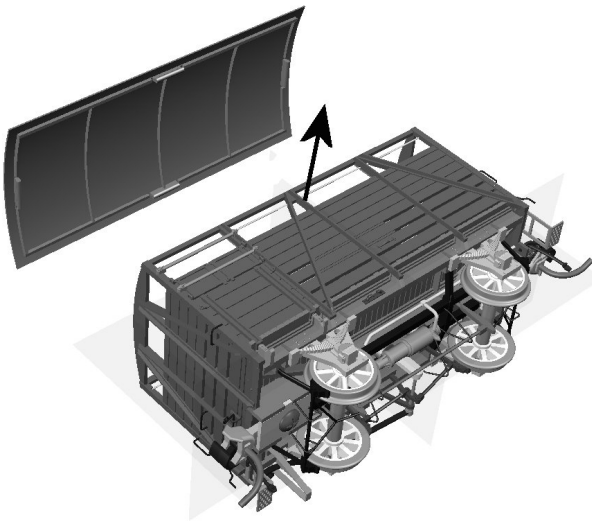


# M Cattle Wagon

The M Cattle Wagon has been designed to be a fine scale replica and it is a rather delicate model. Please take care when handling the model.



The model only fits one way in to the box.  
The side with hand brake lever should be face up.



The roof is removable to allow access for placement of the supplied steel weight or your choice of cattle.

Use a pair of tweezers and pull lightly on top center upright to un-clip the roof panel.

The weights have a double sided tape applied and it can be stuck to the wagon floor.